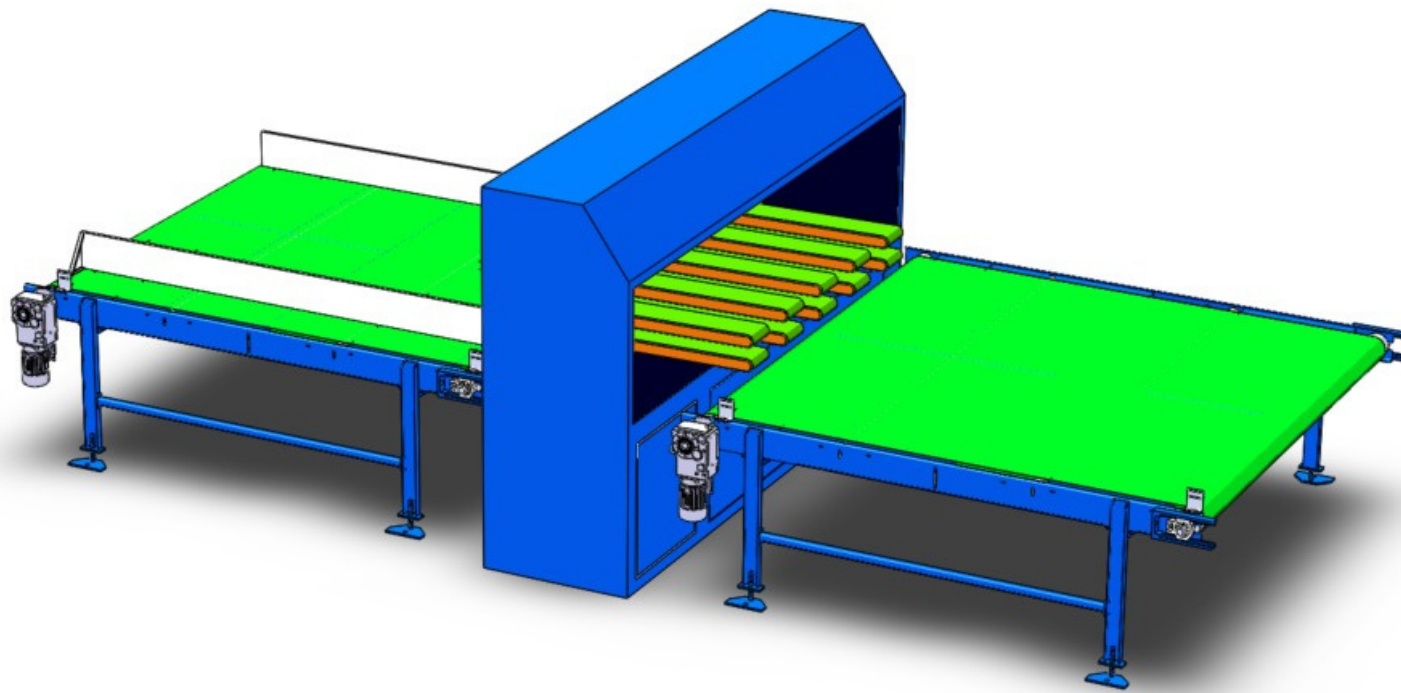


Mattress Filling Machine



FOAMATOMATIC
INTERNATIONAL TECHNOLOGIES

www.foamatic.com

 No 1057, Maruthi Nilaya Janaki
Layout Indlabele Road Anekal Taluk,
Attibele Bengaluru Karnataka 562107
India

 +919574000609, +919916208853

 foamatic@gmail.com

Description

- Automatic mattress zipper cover filling machine
- Robust conveyORIZED feeding forks for filling heavy mattresses effectively
- Auto width and height adjustment system for mattresses:
- Height adjustment range: 10 cm to 40 cm
- Width adjustment range: 80 cm to 215 cm
- Motorized controls for height and width adjustment
- Heavy-duty conveyORIZED stretching forks for reliable performance
- Mattress and cover protection sensors to prevent product damage
- Automatic height measurement function for enhanced accuracy and efficiency

Technical Details

Specification

Air Pressure	6-8 bar
Capacity	30 -50 seconds (based on product type & operator skill)
Max product height	40 CM
Max product size	215X215 CM
Max product weight	100 KG
Min Product size	80X150 CM
Min Height	10 CM
Power requirement	415 Volt AC, 3 Phase, 50 HZ, 5 KW