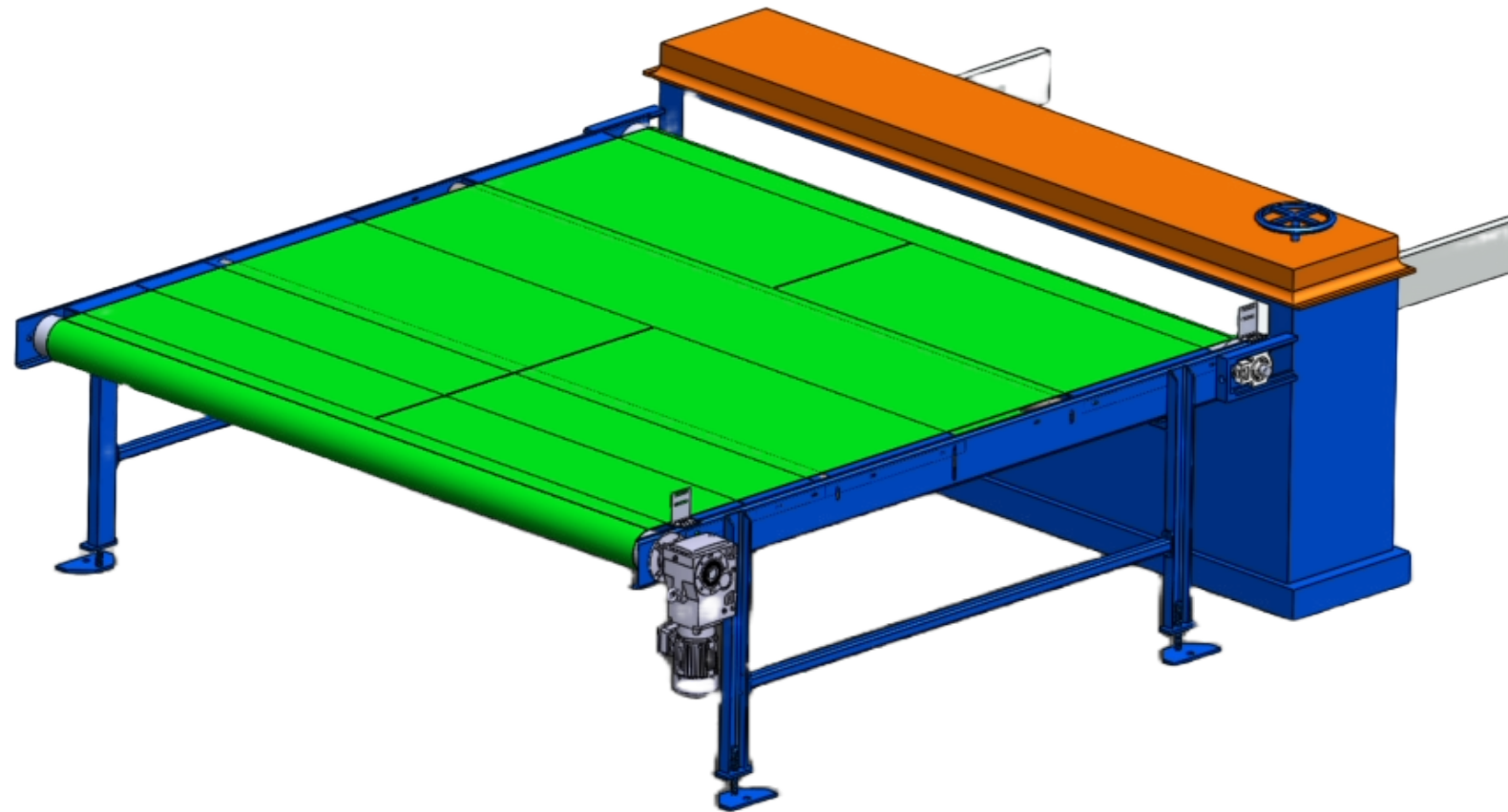


# Foam Sheet Insertion And Packing System



**FOAMATOMATIC**  
INTERNATIONAL TECHNOLOGIES

[www.foamatomatic.com](http://www.foamatomatic.com)

 No 1057, Maruthi Nilaya Janaki  
Layout Indlabele Road Anekal Taluk,  
Attibele Bengaluru Karnataka 562107  
India

 +919574000609, +919916208853

 foamatomatic@gmail.com

## Description

- Automatic sheet instertion machine
- Robust conveyorized feeding forks for filling heavy sheets effectively Auto width and height adjustment system for sheets
- Height adjustment range: 5 cm to 20 cm
- Width adjustment range: 27 Inches to 48 Inches
- Motorized controls for height and width adjustment Heavy-duty conveyorized stretching forks for reliable performance
- Mattress and cover protection sensors to prevent product damage

## Technical Details

### Specification

<b>Air Pressure</b>	<b>6-8 bar</b>
<b>Capacity</b>	<b>30 -40 seconds (based on operator skills)</b>
<b>Max Product Height</b>	<b>20 CM</b>
<b>Max Product Size</b>	<b>48X78 Inches</b>
<b>Max Product Weight</b>	<b>35 kg</b>
<b>Min Height</b>	<b>5 CM</b>
<b>Min Product Size</b>	<b>27X48 Inches</b>
<b>Power Supply</b>	<b>415 Volt AC, 3 Phase, 50 HZ, 5 KW</b>